

REACH 03

推荐安装尺寸

Recommended Dimensions:

名义尺寸小于等于38mm

Basic Dimension: $\leq 38\text{mm}$

轴: h6 Shaft: h6

毂: H7 Hub: H7

名义尺寸大于等于40mm

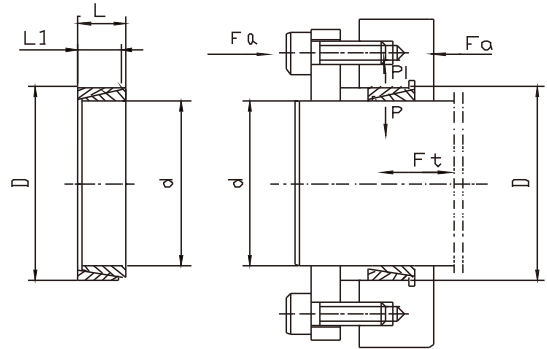
Basic Dimension: $\geq 40\text{mm}$

轴: h8 Shaft: h8

毂: H8 Hub: H8

类似JB/T 7934 Z1标准

Similar to JB/T 7934 Z1 Standard



尺寸 Dimensions				加载的轴向压力 Loaded Axial Pressure	传递的轴向力 Transmitted Axial Force	传递扭矩 Transmitted Torque	接触面压强 Contacting Pressure	
Φd	ΦD	L	L1				轴 Shaft	毂 Hub
mm	mm	mm	mm	Fa	Ft	Mt	P	P1
				KN	KN	Nm	N/mm ²	N/mm ²
*8	11	4.5	3.7	5.0	1.06	4.2	100	70
9	12	4.5	3.7	13.3	1.29	5.8	100	79
10	13	4.5	3.7	14.4	1.53	7.6	100	86
12	15	4.5	3.7	14.5	1.65	9.9	100	80
13	16	4.5	3.7	14.6	1.76	11.5	100	81
14	18	6.3	5.3	23.8	2.70	18.9	100	77
15	19	6.3	5.3	24.3	2.94	22.1	100	79
16	20	6.3	5.3	24.5	3.18	25.4	100	81
17	21	6.3	5.3	24.9	3.29	28.0	100	80
18	22	6.3	5.3	25.3	3.53	31.8	100	82
19	24	6.3	5.3	29.7	3.76	35.8	100	80
20	25	6.3	5.3	30.1	3.88	38.8	100	79
22	26	6.3	5.3	28.9	4.35	47.9	100	86
24	28	6.3	5.3	30.0	4.70	56.4	100	86
25	30	6.3	5.3	32.4	4.94	61.7	100	84
28	32	6.3	5.3	32.6	5.53	77.4	100	88
30	35	6.3	5.3	35.5	5.88	88.2	100	86
32	36	6.3	5.3	36.7	6.23	100	100	88
35	40	7.0	6.0	45.7	7.76	136	100	88
36	42	7.0	6.0	48.2	8.00	144	100	86
38	44	7.0	6.0	49.7	8.47	161	100	87
40	45	8.0	6.6	58.8	9.8	195	100	89
42	48	8.0	6.6	62.6	10.2	215	100	87
45	52	10.0	8.6	92.2	14.3	323	100	87
48	55	10.0	8.6	94.6	15.3	367	100	88
50	57	10.0	8.6	96.5	15.9	397	100	88
55	62	10.0	8.6	101.8	17.4	479	100	88
56	64	12.0	10.4	128.4	21.5	603	100	88
60	68	12.0	10.4	133.4	23.0	691	100	88
63	71	12.0	10.4	137.3	24.2	763	100	89
65	73	12.0	10.4	140.4	25.0	814	100	89

REACH 03

推荐安装尺寸

Recommended Dimensions:

名义尺寸小于等于38mm

Basic Dimension: $\leq 38\text{mm}$

轴: h6 Shaft: h6

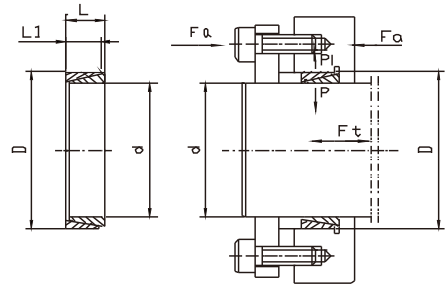
毂: H7 Hub: H7

名义尺寸大于等于40mm

Basic Dimension: $\geq 40\text{mm}$

轴: h8 Shaft: h8

毂: H8 Hub: H8



类似JB/T 7934 Z1标准 Similar to JB/T 7934 Z1 Standard

尺寸 Dimensions				加载的轴向压力 Loaded Axial Pressure	传递的轴向力 Transmitted Axial Force	传递扭矩 Transmitted Torque	接触面压强 Contacting Pressure	
ϕd	ϕD	L	L1				轴 Shaft	毂 Hub
mm	mm	mm	mm	Fa	Ft	Mt	P	P1
				KN	KN	Nm	N/mm ²	N/mm ²
70	79	14.0	12.2	176.0	31.6	1107	100	89
71	80	14.0	12.2	178.0	32.0	1136	100	89
75	84	14.0	12.2	189.6	33.8	1266	100	89
80	91	17.0	15.0	251.0	44.2	1769	100	88
90	101	17.0	15.0	272.4	49.9	2244	100	89
100	114	21.0	18.7	377.7	69.0	3452	100	88
110	124	21.0	18.7	415.0	76.0	4178	100	89
120	134	21.0	18.7	440.2	82.8	4967	100	89
130	148	28.0	25.3	654.2	121	7896	100	88
140	158	28.0	25.3	689.0	131	9146	100	89
150	168	28.0	25.3	727.5	140	10505	100	89
160	178	28.0	25.3	764.5	149	11948	100	90
170	191	33.0	30.0	982.5	188	16014	100	89
180	201	33.0	30.0	1027.2	199	17950	100	90
190	211	33.0	30.0	1071.0	210	19987	100	90
200	224	38.0	34.8	1314.0	257	25696	100	89
210	234	38.0	34.8	1366.0	270	28326	100	90
220	244	38.0	34.8	1420.0	283	31098	100	90
230	257	43.0	39.5	1705.0	335	38570	100	89
240	267	43.0	39.5	1767.5	351	42068	100	90
250	280	48.0	44.0	2060.0	407	50906	100	90
260	290	48.0	44.0	2132.0	425	55205	100	90
270	300	48.0	44.0	2207.0	442	59678	100	91
280	313	53.0	49.0	2536.0	507	71042	100	90
290	323	53.0	49.0	2632.0	525	76103	100	90
300	333	53.0	49.0	2704.0	542	81338	100	90
320	360	65.0	59.0	3492.0	697	111504	100	89
340	380	65.0	59.0	3672.0	740	125870	100	89
360	400	65.0	59.0	3858.0	784	141106	100	90
380	420	65.0	59.0	4069.0	828	157235	100	90
400	440	65.0	59.0	4256.0	871	174213	100	91
420	460	65.0	59.0	4444.0	915	192085	100	91
440	480	65.0	59.0	4634.0	958	210805	100	92