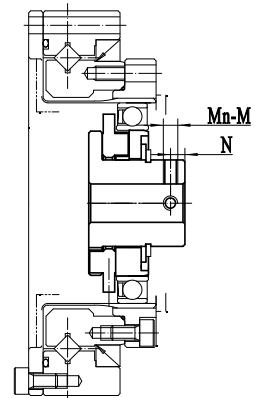
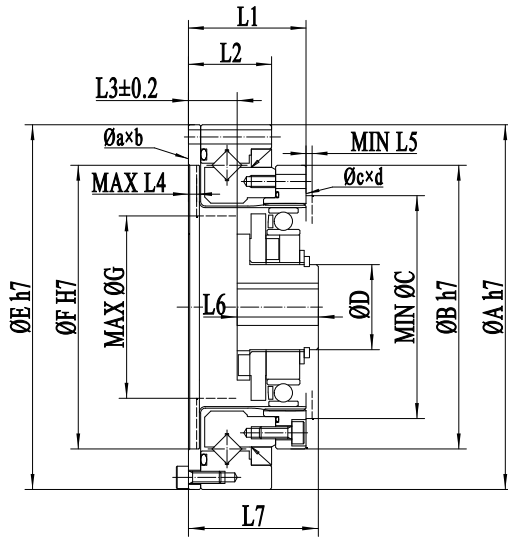
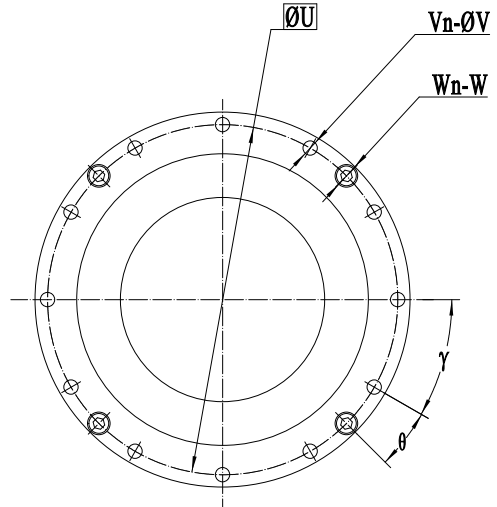
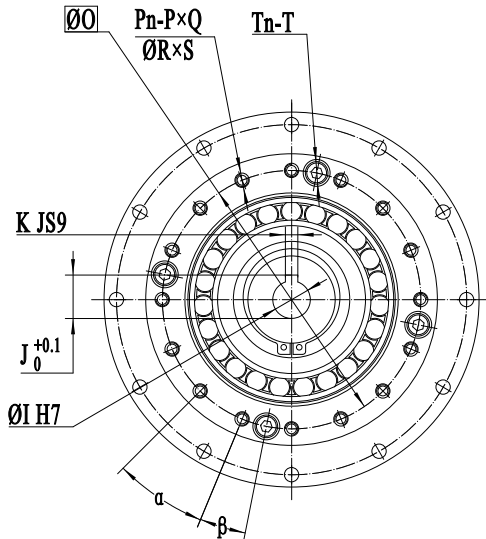


## RHSG Series of Harmonic reducer

### RHSG - II series drawings



14、17规格



## RHSG Series of Harmonic reducer

### RHSG - II Parameter Table

code \ model	14	17	20	25	32	40	45
ØA h7	70	80	90	110	142	170	190
ØB h7	50	60	70	85	110	135	155
MIN ØC	38	45	53	66	86	106.5	119
ØD	14	18	21	26	26	32	32
ØE h7	70	80	90	110	142	170	190
ØF H7	48	60	70	88	114	140	158
MAX ØG	31	38	45	56	73	90	101
ØI h7	6	8	8	14	14	14	19
J	-	-	9.4	16.3	16.3	16.3	21.8
K JS9	-	-	3JS9	5JS9	5JS9	5JS9	6JS9
Mn	2	2	-	-	-	-	-
M	M3	M3	-	-	-	-	-
N	2.5	3	-	-	-	-	-
O	44	54	62	77	100	122	140
Pn	8	16	16	16	16	16	12
P	M3	M3	M3	M4	M5	M6	M8
Q	5	5.5	6	7	8	10	10
ØR	3.5	3.5	3.5	4.5	5.5	6.6	9
S	6	6.5	7.5	7	14	17	19
Tn	4	4	4	4	4	4	4
T	M3	M3	M3	M3	M4	M5	M5
ØU	64	74	84	102	132	158	180
Vn	8	12	12	12	12	12	18
ØV	3.5	3.5	3.5	4.5	5.5	6.6	6.6
Wn	4	4	4	4	4	6	6
Wn	M3	M3	M3	M3	M4	M4	M4
L1	23.5	26.5	29	34	42	51	56.5
L2	16.5	19	20.5	22	27	33	36.5
L3±0.2	10.8	12.5	12	15.4	20.4	23.3	27.2
MAX L4	1.7	1.7	2	2	2	2	2
MIN L5	2	2	2	2	2.5	2.5	2
L6	17.7	20	21.5	21.6	23.6	29.7	30.5
L7	28.5	32.5	33.6	37	44	53	58
Øa	52	61	69	90	116	143	-
b	1.5	1.5	1.5	2	2	2	-
Øc	36.6	45	54	67	87	107	121.5
d	0.6	1	1	1.5	1.5	1.5	2
α°	30	18	22.5	22.5	22.5	22.5	30
β°	30	18	11.5	11.5	11.5	11.5	15
γ°	45	30	30	30	30	30	20
θ°	22.5	15	15	15	15	15	10