

# 风电制动器

## Wind-power Fully Sealed Brake

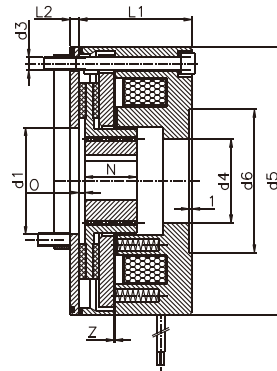
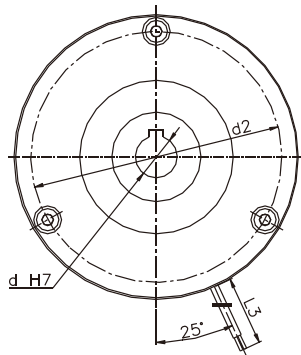
### 1 REB05C 系列 电磁制动器 REB05C Electromagnetic Brakes

### 产品特点

- 全封闭结构和良好的引线封装,具备良好的防水防尘性能,防护等级IP65,最高可达IP66,防腐等级最高可达WF2。
- 使用环境温度-40°C~50°C
- 耐压2100VAC 1Min, 绝缘等级F级特殊要求可以达到H级
- 用户可根据风场工况选用摩擦板、盖板、开关组件等配件

### Product Features

- With the characteristics of full sealed construction and good Lead Package, REB05C series products have better waterproof and dustproof performance. The highest protection level can reach to IP66, and the highest anti-corrosion grade can reach to WF2
- Operating ambient temperature -40°C~50°C
- Withstand 2100VAC; Insulation Grade: F, or H in special cases
- Optional components including friction plant, flange, switch unit can fit for the different conditions of wind power plant



REB05C盖板/摩擦板 Flange/Friction Plate

单位为毫米 ( mm ) Unit: mm

电机基座	机座号	T	Tmax	d1	d2	d3	L1	L2	L2max	d5	d6	L3	O	Z	N	P(20°C)
90	10	16Nm	23Nm	44	112	3XM6	48.5	1.5	5	130	44	400	1.7	0.2	20	30W
100	12	32Nm	46Nm	52	132	3XM6	55	5		148	52	400	2.3	0.3	25	40W
112	14	60Nm	80Nm	64	145	3XM8	67.1	6		165	100	1000	1.9	0.3	30	50W
132	16	80Nm	125Nm	70	170	3XM8	72	6		200(199)	100	1000	2.6	0.3	30	55W
160	18	150Nm	370Nm	95	196	6XM8	83	6		226	125	1000	2.6	0.4	35	90W

- T为额定扭矩 ( N.m)
- 表中L3为导线长度, 特殊要求可以定制。

- T represents rated torque(N.m)
- L3 listed in the Table represents the length of the conductor, which could be ordered.