

RGE-GR 标准型

RGE-GR Standard series

产品特点

- 广泛应用于各种机械和液压领域
- 聚氨酯和钢的材料配合，免维护
- 可以补偿两轴相对偏移、缓冲、减振
- 具有良好的电绝缘性
- 轴向插入装配，安装方便
- 成品孔径公差按照ISO标准H7，键槽公差按照DIN6885/1标准JS9
- 另有锥孔和英制孔



Characteristics:

- Widely used under mechanical and hydraulic pressure circumstances;
- No need to maintain by using steel in conjunction with polyurethane;
- Compensate relevant deviation, buffer and absorb vibration;
- Better insulate electricity;
- Easy mounting by inserting at axial direction;
- Aperture tolerance: ISO H7; Keyslot tolerance: DIN6885/1 Js9;
- Taper and inch bores are designed for option.

铝件 Aluminum	部件 Part	基本参数 Fundamental Parameters 单位/Unit: mm												
		成品孔 Bore	尺寸 Dimension									固定螺丝 Fixing Screw		
型号 Model RGE-□□		d (min-max)	L	L1.L2	E	b	t	D	D1.D2	N	d3	M	S	T(Nm)
14	B	6-16	35	11	13	10	1.5	30	30	-	10	M4	5	1.5
19	A	6-19	66	25	16	12	2	41	32	20	18	M5	10	2
	B	19-24							41	-				
24	A	9-24	78	30	18	14	2	56	40	24	27	M5	10	2
	B	22-28							56	-				
28	A	10-28	90	35	20	15	2.5	66	48	28	30	M8	15	10
	B	28-38							66					
38	A	12-48	114	45	24	18	3	80	66	37	38	M8	15	10
	B	38-45							79					
42	A	14-42	126	50	26	20	3	95	75	40	46	M8	20	10
	B	42-55							94					
48	A	15-48	140	56	28	21	3.5	105	85	45	51	M8	20	10
	B	48-60							104					
55	A	20-55	160	65	30	22	4	120	98	52	60	M10	20	17
	B	55-70							118					

RGE-GR 标准型

RGE-GR Standard series

铸件 Cast Iron	部件 Part	基本参数 Fundamental Parameters 单位/Unit: mm												
		成品孔 Bore	尺寸 Dimension									固定螺丝 Fixing Screw		
		d (min-max)	L	L1.L2	E	b	t	D	D1.D2	N	d3	M	S	T(Nm)
38	A	12-40	114	45	24	18	3	80	66	37	38	M8	15	10
	B	38-48							79					
	C	12-48	164	70					79					
42	A	14-45	126	50	26	20	3	95	75	40	46	M8	20	10
	B	42-55							94					
	C	14-55	176	75					94					
48	A	15-52	140	56	28	21	3.5	105	85	45	51	M8	20	10
	B	48-62							104					
	C	15-62	188	80					104					
55	A	20-60	160	65	30	22	4	120	98	52	60	M10	20	17
	B	55-74							118					
65	A	20-70	185	75					35					
75	A	30-80	210	85	40	30	5	160	135	69	80	M10	25	17
90	A	40-97	245	100	45	34	5.5	200	160	81	100	M12	30	40
100	A	50-115	270	110	50	38	6	225	180	89	113	M12	30	40
110	A	60-125	295	120	55	42	6.5	255	200	96	127	M16	35	80
125	A	60-145	340	140	60	46	7	290	230	112	147	M16	40	80
140	A	60-160	375	155	65	50	7.5	320	255	124	165	M20	45	140
160	A	80-185	425	175	75	57	9	370	290	140	192	M20	50	140
180	A	85-200	475	195	85	64	10.5	425	325	156	220	M20	50	140

注：订货没指明材料，计算和订货材料就按38到90规格为HT250，100到180为QT400

Note: If orders no material requirements, REACH will use HT250 for model 38 to 90, QT400 for model 100 to 180.

钢件 Steel	部件 Part	基本参数 Fundamental Parameters 单位/Unit: mm												
		成品孔 Bore	尺寸 Dimension									固定螺丝 Fixing Screw		
		d (min-max)	L	L1.L2	E	b	t	D	D1.D2	N	d3	M	S	T(Nm)
14	B	0-16	35	11	13	10	1.5	30	30	-	10	M4	5	1.5
	C		50	18.5										
19	B	0-25	66	25	16	12	2	40	40	-	18	M5	10	2
	C		90	37										
24	B	0-35	78	30	18	14	2	55	55	-	27	M5	10	2
	C		118	50										
28	B	0-40	90	35	20	15	2.5	65	65	-	30	M8	15	10
	C		140	60										
38	A	0-48	114	45	24	18	3	80	70	27	38	M8	15	10
	C		164	70					80					
42	A	0-55	126	50	26	20	3	95	85	28	46	M8	20	10
	C		176	75					95					
48	A	0-62	140	56	28	21	3.5	105	95	32	51	M8	20	10
	C		188	80					105					
55	A	0-74	160	65	30	22	4	120	110	37	60	M10	20	17
	C		210	90					120					
65	A	0-80	185	75	35	26	4.5	135	115	47	68	M10	20	17
	C		235	100					135					
75	A	0-95	210	85	40	30	5	160	135	53	80	M10	25	17
	C		260	110					160					
90	A	0-110	245	100	45	34	5.5	200	160	62	100	M12	30	40
	C		295	125					200					

注：孔径 dH7(键槽DIN6885/1(GB/T1095-79)JS9、紧定螺钉GB77-85)从规格125起固定螺丝的尺寸按客户要求供货

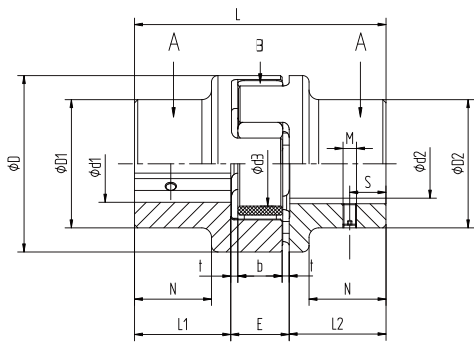
Note: Bore diameter dH7 (Keyway DIN6885/1(GB/T1095-79)JS9 and Tighten screw GB77-85); for specifications 15 and beyond, we will supply tighten screw at customer's request.

RGE-GR 标准型

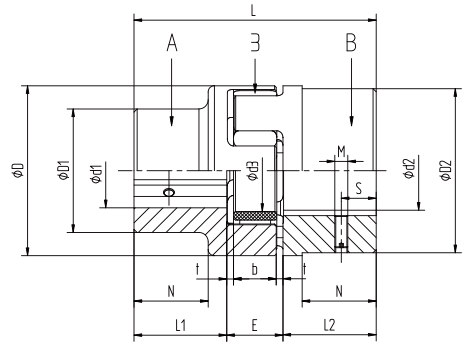
RGE-GR Standard series

选型举例：Example:

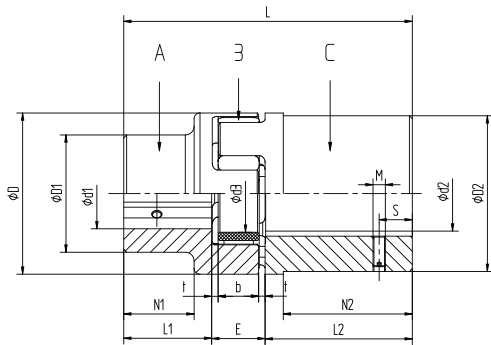
RGE28	C	AA	T	P	Ø 24	Ø 25	98
产品规格 Specification	铸件 Casting	结构 Structure	热处理调质 Tempering by heat treatment	表处磷化 Phosphate Coating	孔径 Aperture	孔径 Aperture	弹性体硬度 Elastomer hardness



标准型
Standard Type



标准加大型
Standard Oversized Type



Bz加长型
BZ Lengthen Type